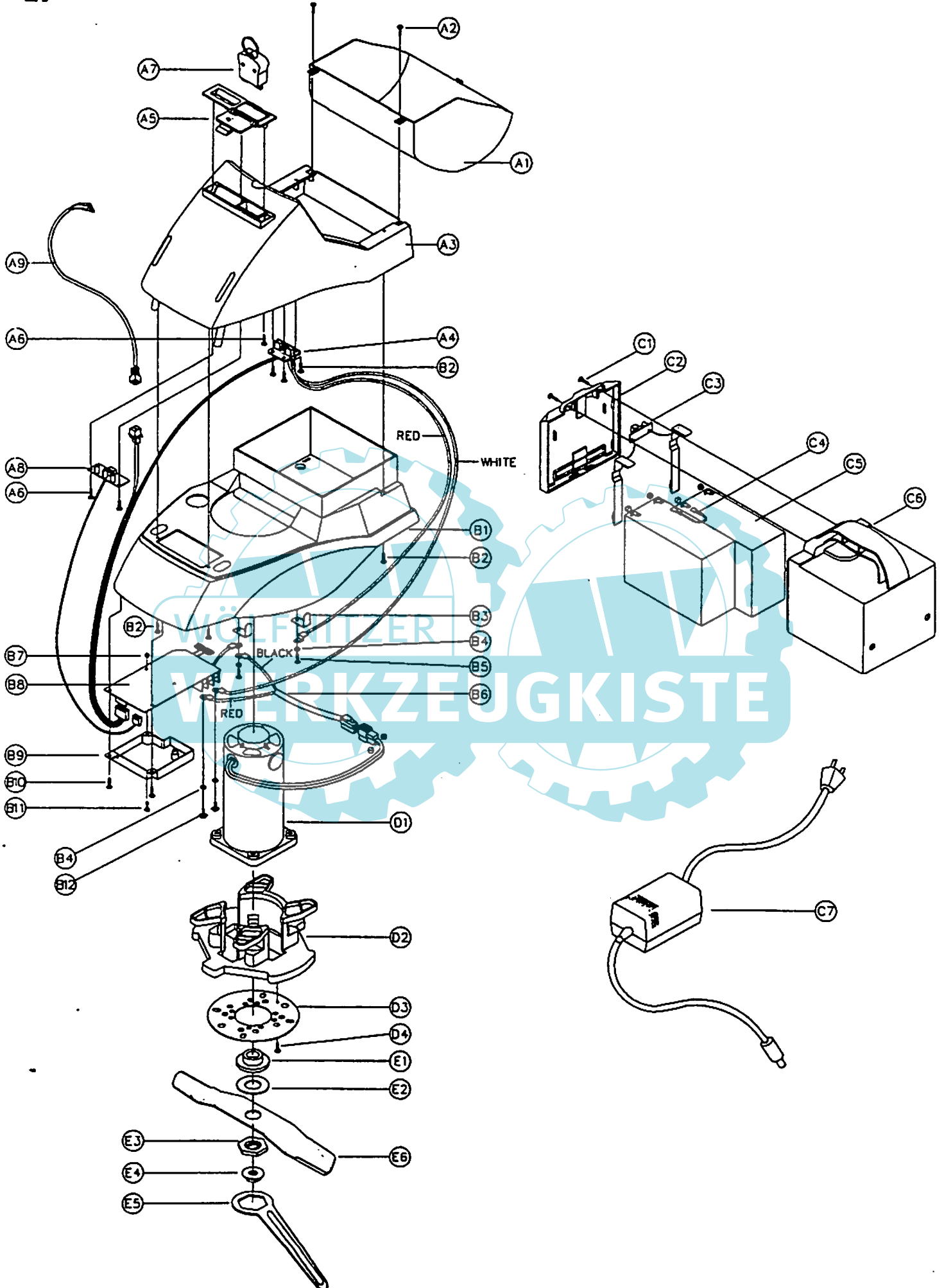


12-4612-65 DIANA SILVERSTAR 33 AKKU

1  
2  
4  
6  
1  
2  
6  
5

| <u>Index</u> | <u>Art.N°</u> |   | <u>Benennung</u>         | <u>Description</u>              |
|--------------|---------------|---|--------------------------|---------------------------------|
| 9            | 421112761.02  | X | Deckel                   | Flap                            |
| 10           | 421112789.01  | X | Feder                    | Spring                          |
| 16           | 421112762.01  | X | Rad                      | Wheel                           |
| 17           | 421112763.03  | X | Radkappe                 | Hub cap                         |
| 18           | 329196192.01  | X | Rad                      | Wheel                           |
| 19           | 349196481.22  | X | Radkappe                 | Hub cap                         |
| 20           | 329496424.22  | X | Nabenkappe               | Wheel cap                       |
| 21           | 421112788.01  | X | Ansatzschraube           | Shoulder bolt                   |
| 22           | 329496434.08  | X | Ansatzschraube           | Shoulder bolt                   |
| 24           | 329496191.01  | X | Kugellager               | Ball-bearing                    |
| 25           | 349196455.01  | X | Buchse                   | Bushing                         |
| 32           | 421112760.02  | X | Grasfangvorrichtung      | Collector                       |
| 33           | 421112758.02  | X | Grasfangvorr. (Oberteil) | Top collector                   |
| 34           | 329496447.01  | X | Gehäuse                  | Cover                           |
| 38           | 421112997.02  | X | Führungsholm (Oberteil)  | Upper handle                    |
| 39           | 329496444.08  | X | Schraube                 | Screw                           |
| 40           | 329491138.01  | X | Kabelhalter              | Cable holder                    |
| 41           | 421113158.02  | X | Führungsholm (Unterteil) | Lower handle (right)            |
| 42           | 421113158.01  | X | Führungsholm (Unterteil) | Lower handle (left)             |
| 43           | 329498032.01  | X | Handschraube             | Locking knob                    |
| 44           | 329494371.08  | X | Schraube                 | Screw                           |
| 45           | 329970010.08  | X | Scheibe                  | Flat washer                     |
| 46           | 329499005.01  | X | Sperrbolz                | End plug                        |
| 50           | 329496480.08  | X | Scheibe                  | Washer                          |
|              | 421113130.01  | X | Verstärkung              | Reinforcement (not illustrated) |
|              | 428389216.12  | X | Schraube                 | Screw (not illustrated)         |



12-4612-65 DIANA SILVERSTAR 33 AKKU

1  
2  
4  
6  
1  
2  
6  
5

| <u>Index</u> | <u>Art.N°</u> |   | <u>Benennung</u>     | <u>Description</u>   |
|--------------|---------------|---|----------------------|----------------------|
| A1           | 421172076.02  | X | Obere Gehäuse        | Top housing          |
| A2           | 428497909.16  | X | Schraube             | Screw                |
| A3           | 421172077.02  | X | Gehäuse              | Upper housing        |
| A4           | 421172081.01  | X | Schlüsselhalter      | Safety key plate     |
| A5           | 421172062.01  | X | Panelrahmen          | Control panel frame  |
| A6           | 428369110.12  | X | Schraube             | Screw                |
| A7           | 421113124.01  | X | Sicherheitsschlüssel | Safety key           |
| A8           | 421172087.01  | X | LED Karte            | LED circuit board    |
| A9           | 421172090.01  | X | Kabel                | Switch cable         |
| B1           | 421172078.02  | X | Batteriegehäuse      | Battery pack housing |
| B2           | 428369216.12  | X | Schraube             | Screw                |
| B3           | 421172084.01  | X | Anschlussbleck       | CU connections       |
| B4           | 426830010.02  | X | Scheibe              | Spring washer        |
| B5           | 428369216.12  | X | Schraube             | Screw                |
| B6           | 421172086.01  | X | Motorkabel           | Motor plug set       |
| B7           | 427990431.02  | X | Mutter               | Nut                  |
| B8           | 421172088.01  | X | IC card              | Kreiskarte           |
| B9           | 421172079.01  | X | Deckel               | P.C. board cover     |
| B10          | 428369110.12  | X | Schraube             | Screw                |
| B11          | 428650408.16  | X | Schraube             | Screw                |
| B12          | 428497909.16  | X | Schraube             | Screw                |
| C1-6         | 419112926.01  | X | Batteriesatz         | Battery pack         |
| C1           | 428369216.12  | X | Schraube             | Screw                |
| C2           | 421172080.01  | X | Batteriedeckel       | Battery box cover    |
| C3           | 421172089.01  | X | Geladepatte          | Charging plate       |
| C4           | 421172091.01  | X | Kabel                | Cord                 |
| C5           | 421172083.01  | X | Batterie             | Battery              |
| C6           | 42117207501   | X | Batteriegehäuse      | Battery box          |
| C7           | 424000262.00  | X | Ladegerät            | Charger              |
| D1           | 421172085.01  | X | Motor                | Motor 500W           |
| D2           | 421172092.01  | X | Motorbefestigung     | Motor base           |
| D3           | 421172082.01  | X | Motorplatte          | Motor mounting plate |
| D4           | 428369110.12  | X | Schraube             | Screw                |
| E1           | 421113128.01  | X | Messerhalter         | Blade adapter        |
| E2           | 421113134.01  | X | Scheibe              | Plastic spacer       |
| E3           | 421113135.01  | X | Sechskantscheibe     | Hex adapter          |
| E4           | 421113129.01  | X | Messermutter         | Blade nut            |
| E5           | 421113156.01  | X | Messerschlüssel      | Hex wrench           |
| E6           | 421113127.01  | X | Messer               | Blade                |